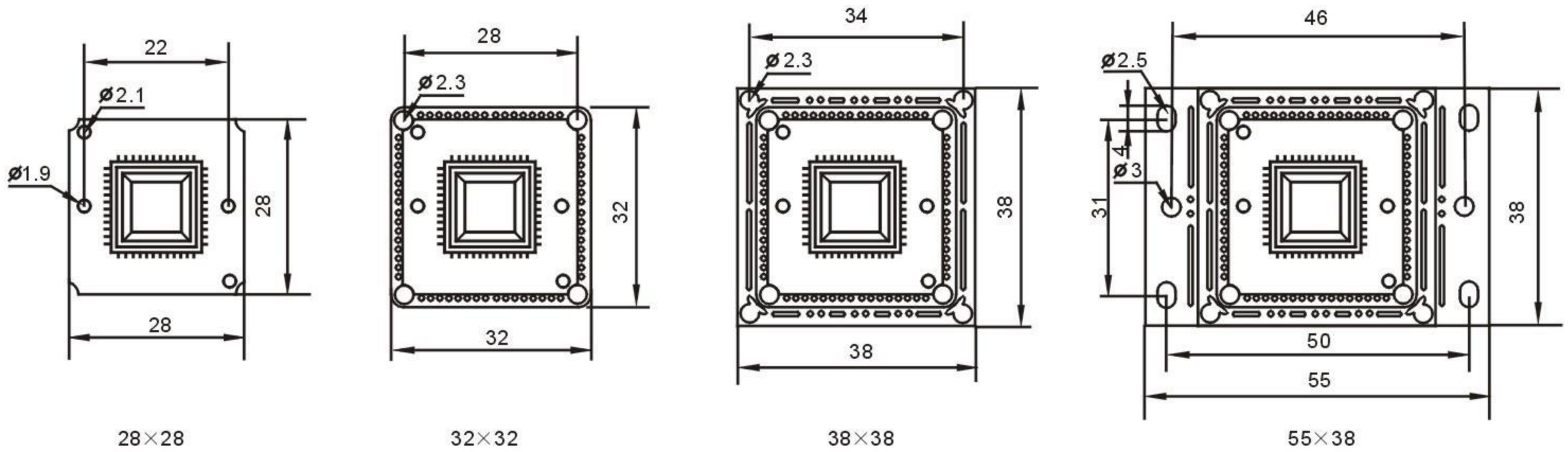


# 1. Dimensions of Product



1.3-Mega Pixels Module  
(4 kinds of Dimension)

Unit: mm

DESCRIPTION

NOTICE

DATE

2005.2.1

SHEET

1 OF 2

DWG NO.

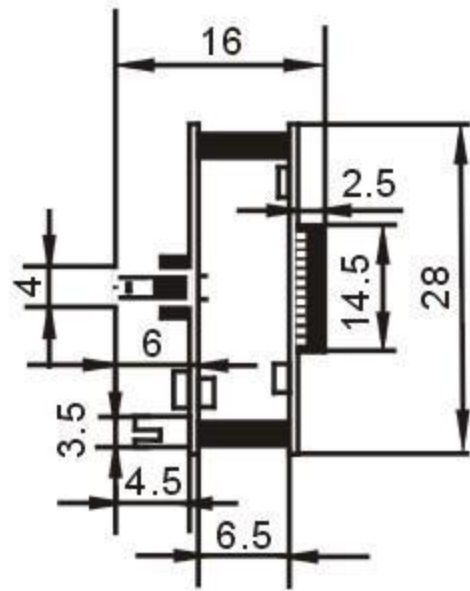
SV-MN121150C-DD1E

DWG NAME

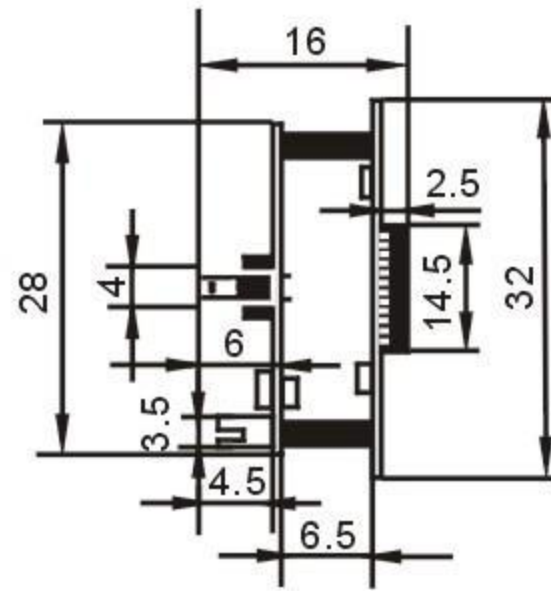
1.3-M PIXELS MODULE

APPROVED

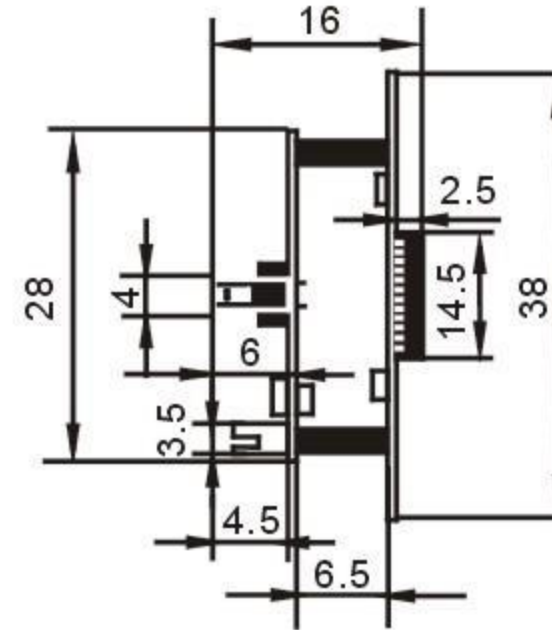
# 1. Dimensions of Product



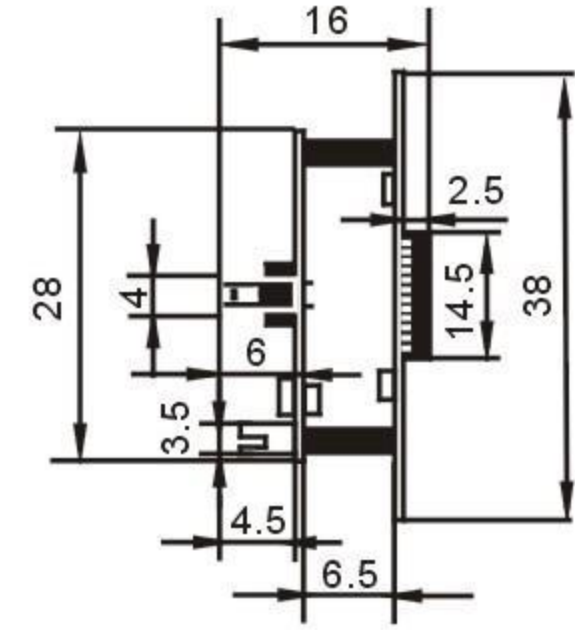
28×28



32×32



38×38



55×38

1.3-Mega Pixels Module  
(Side view)

Unit: mm

DESCRIPTION

NOTICE

DATE

2005.2.1

SHEET

2 OF 2

DWG NO.

SV-MN121150C-DD1E

DWG NAME

1.3-M PIXELS MODULE

APPROVED